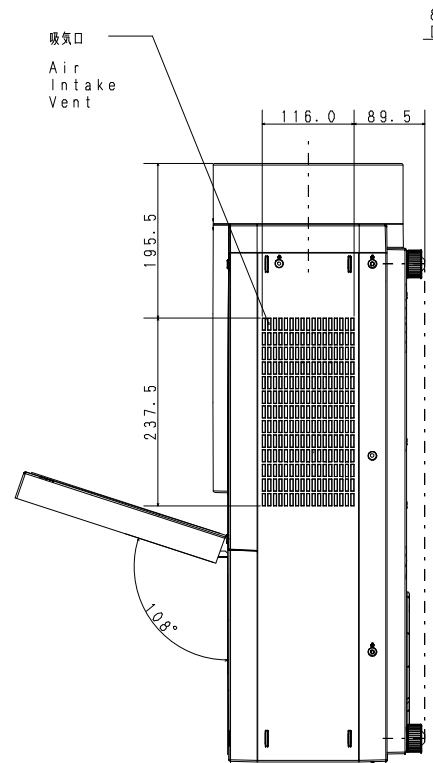
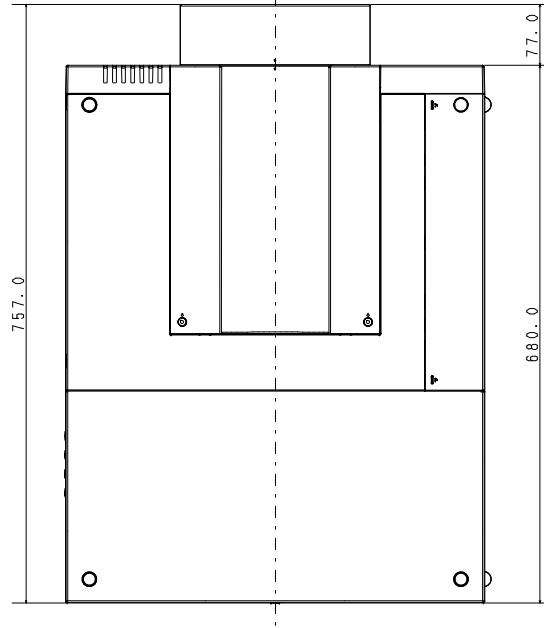
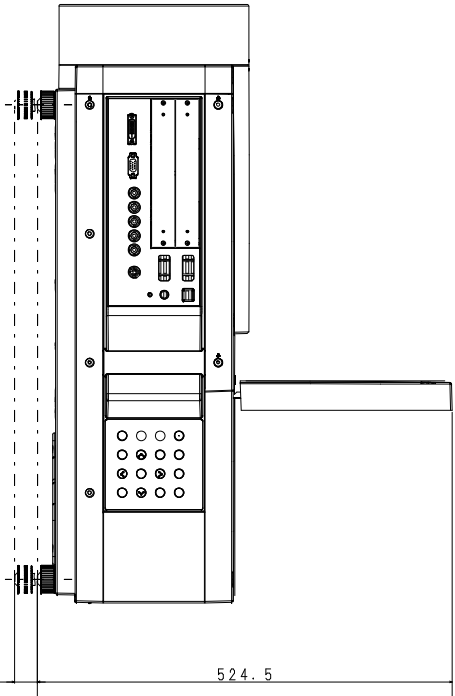
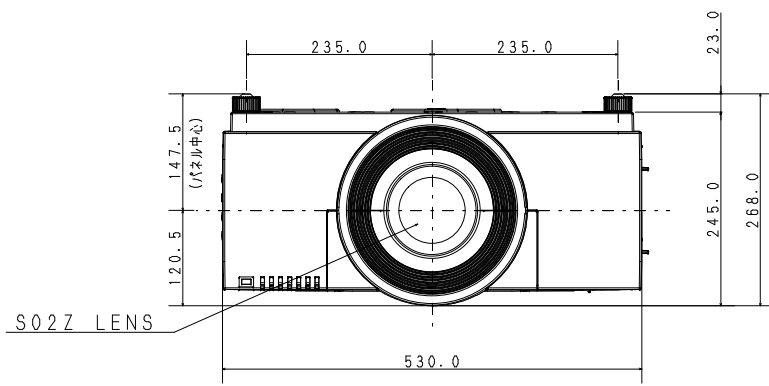
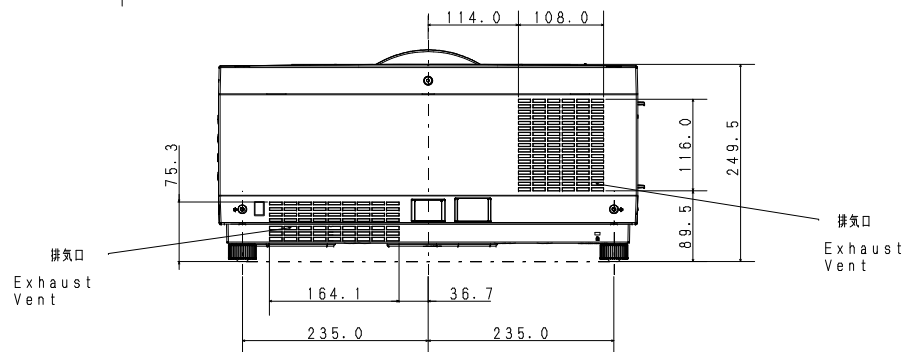
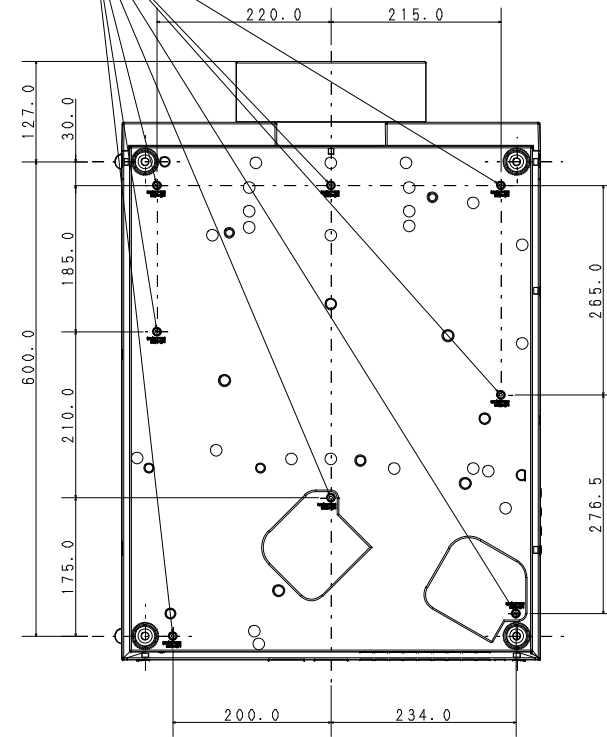


08. 2. 21
(SCALE=1)



8-M8mm DIAMETER
DEPTH MAX 10mm



SET DIM: 530 (W) X 268.0 (H) X 757 (D) (突起物含む)
Including Projection