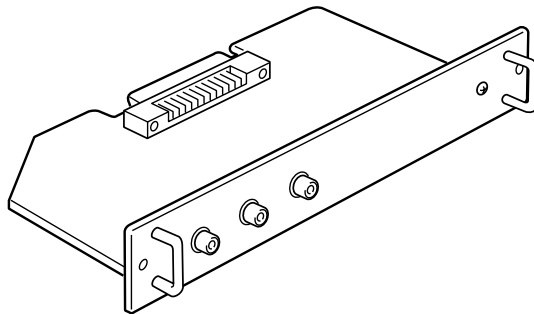


HD&SD-SDI MODULE CARD POA-MD17SDID INSTRUCTIONS MANUAL

This module card can be used to display the date which is converted a HD-SDI signal (HD Serial Digital Interface Signal) conforming to the BTA S-004 SMPTE292M standard or the SD(D1)-SDI signal (SD Serial Digital Component Signal) conforming to the SMPTE259M-C standard into a RGB parallel digital signal.

This module card is only used for our LCD projector that has a slot for a digital card. Contact a sales dealer for suitable projectors.



■ Available signal format

SMPTE259M-C Standard 480-60i (60/59.94Hz)
SMPTE259M-C Standard 575-50i (50Hz)
SMPTE260M Standard 1035-60i (60/59.94Hz)
SMPTE274M Standard 1080-60i (60/59.94Hz)
SMPTE296M Standard 720-60p (60/59.94Hz)
SMPTE274M Standard 1080-24psf (24/23.97Hz)
SMPTE274M Standard 1080-24p (24/23.97Hz)
SMPTE274M Standard 1080-25psf (25/24.97Hz)
SMPTE274M Standard 1080-25p (24/24.97Hz)
SMPTE274M Standard 1080-30psf (30/29.97Hz)
SMPTE274M Standard 1080-30p (30/29.97Hz)
SMPTE274M Standard 1080-50p (50Hz)

* For vertical frequency of 60 or 59.94, 24 or 23.97 automatically detected.

Note: These above signal formats can be available for a module card. There are some LCD projectors does not support these signal formats. For further details, contact a sales dealer.

■ Specifications of Input/Output (HD&SD-IN 1 and 2, SD-OUT)

SD-SDI-IN, SD SDI-OUT

Signal	SMPTE259M-C conformed, SD-SDI D1 270MHz
Terminal	BNC 75Ω,

HD-SDI-IN

Signal	BTA S-004 SMPTE292 conformed, HD-SDI 1.485GHz or 1.483GHz
Terminal	BNC 75Ω,

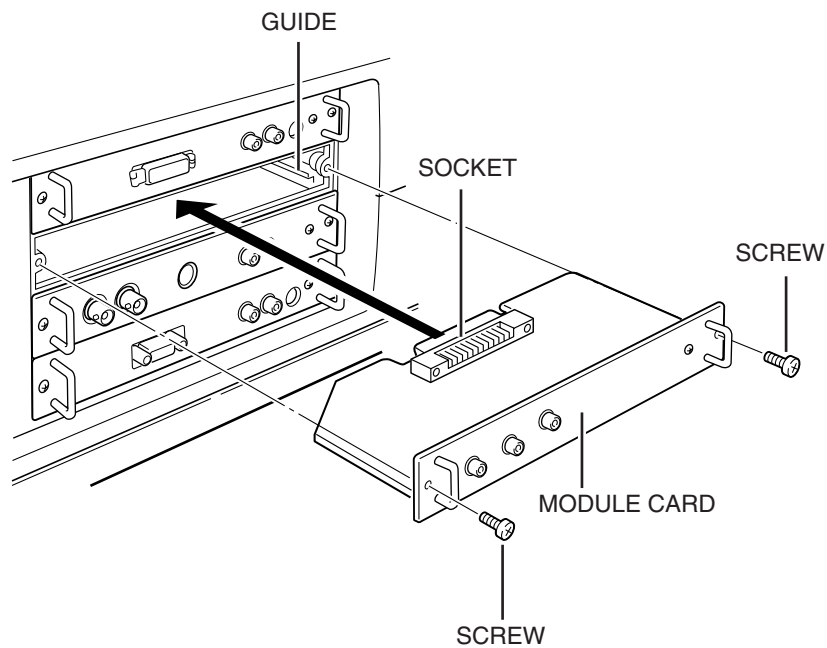
HD SDI-OUT

Signal	BTA S-004 conformed, HD-SDI 1.485GHz or 1.483GHz
Terminal	BNC 75Ω,

■ Setup the Module card

This module card connects to the terminal slot of the LCD projector.

1. First, remove a terminal equipped with a slot for setup.
Remove 2 screws and pull out the terminal from the projector.
2. Put a HD&SD-SDI module card in along the guide, and push in the projector.
Connect the socket of module card in the terminal socket of the projector firmly.
Fasten the module with two screws.



■ Connection

Connect a cable of BNC signal to the SDI-IN 1 or SDI-IN 2.

Connect the SDI-OUT to other monitor or other projector equipped with HD-SDI or SD-SDI module card.

