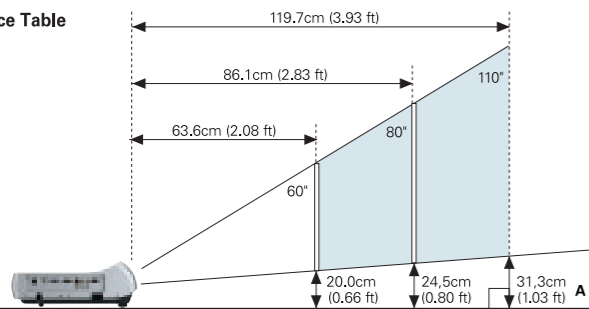


**Throw Distance Table**



**Throw Distance (Aspect ratio 16:10)**

Zoom/Focus		Fixed/manual	
Focal length f (mm)		6.68	
F value		1.8	
Projection light axis H1:H2		10:1.68	
Throw ratio (Indication)		0.50:1	
inch	WxH(m)	Distance (cm / ft)	A: Height from the undersurface of the projector to the bottom of the screen (cm / ft)
60	1.3x0.8	63.6 / 2.08	20.0 / 0.66
70	1.5x0.9	74.8 / 2.45	22.3 / 0.73
80	1.7x1.1	86.1 / 2.83	24.5 / 0.80
90	1.9x1.2	97.3 / 3.19	26.8 / 0.88
100	2.2x1.3	108.5 / 3.56	29.1 / 0.96
110	2.4x1.5	119.7 / 3.93	31.3 / 1.03

\* Approximate projection distance are calculated based on lens design specification. Individual lenses may diverge from this figure by up to 5% due to slight variations in lens size and shape.

**Terminals**



**Remote control**



**Specifications**

Product Number	PLC-WL2500
System	RGB liquid crystal shutter projection system
LCD panel Size	0.59 inch x 3, Aspect Ratio 16:10
Pixel Count	1,024,000 (1280 x 800) x 3; Total pixels 3,072,000
Projection Lens	Fixed / Manual focus, f=6.68 mm, F=1.8
Light Source	230 W NSHA lamp
Screen Size (Projection Distance)	60 inch (min.) - 110 inch (max.) 0.64 m - 1.20 m (2.08 - 3.93 ft)
Brightness*1	2,500 lumens*2
Contrast Ratio (Full On/Full Off)*1	500:1*2
Fan Noise	29 dBA (Lamp mode "Eco")
Uniformity*1	80 %
Color Reproducibility	Full color (16.77 million colors)
Audio Output	10 W mono
Scanning frequency (Input)	Horizontal: 15 - 100 kHz, Vertical: 50 - 100 Hz, Dot Clock: 140 MHz or less (Analog)
Resolution (when using RGB signal)	1280 x 800 dots (WUXGA dot resizing possible)
PC Input / Output	- Digital input ; HDMI x 1 (Ver. 1.3 compatible) - Analog RGB input ; Mini D-sub 15 x 2 (can be used for component input with a component to D-sub cable, sold separately) - Analog RGB output ; Mini D-sub 15 x 1 (same as analog RGB input terminal) - Audio input ; Stereo mini jack x 1 (computer/component)
Terminals	- Video input ; RCA x 1, S-Video x 1; Audio input ; RCA x 2 (stereo)
Controller Input/Output, and Other	- Control port ; D-sub 9 (RS-232C) x 1 - Audio output (variable) (for both computer/video) ; Stereo mini jack x 1 - Wired LAN terminal ; RJ-45 x 1
Operating Temperature	5 - 35 °C
Power Source	AC 100-120 V / 200-240 V (±10 %), 50/60Hz
Power consumption	100-120 V AC
	200-240 V AC
Dimensions	339.2 W / 227.4 W (Lamp mode : Normal / Eco) 5.94 W / 0.42 W (Standby : Network / Eco)
	316.2 W / 217.3 W (Lamp mode : Normal / Eco) 7.9 W / 0.78 W (Standby : Network / Eco)
Weight	4.6 kg (10.1 lbs)
Main Accessories	Removable power cord x 1, D-sub 15 cable x 1, PIN code-locking seal, Owner's manual (Quick Manual & CD-ROM), Remote control x1 (AAA battery x 2)

Replacement Lamp Type No. POA-LMP141

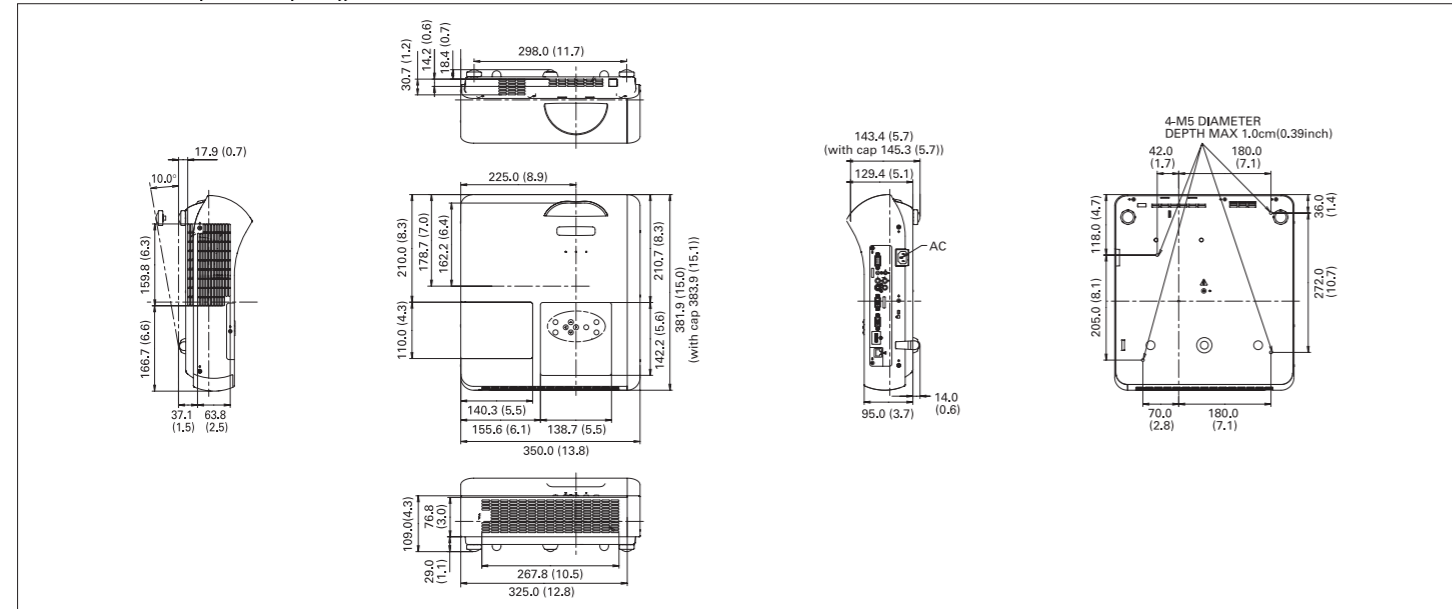
\*1 Measurement, measuring conditions, and method of notation all comply with ISO 21118 international standards.

\*2 When Lamp Mode: Normal, and Image Mode: Dynamic are selected

\* All product names and company names are trademarks or registered trademarks of their respective companies.

\* Product appearance and specifications are subject to change without notice.

**External dimensions (unit: mm (inch))**



All products manufactured by the Projector Division of SANYO's Digital System Company employ a quality management system that has undergone the inspection and registration process of the ISO 9001 international standard.



SANYO's Digital System Company has received ISO 14001 certification for the environmental management system used in its factory.



Pixelworks ICs are used in this projector

<http://sanyo.com/projector/>

**Caution:** Please consult the instruction manual to ensure safe and proper operation of the product.

Distributed by:



SANYO Electric Co., Ltd.  
Digital System company

© 2010 SANYO Printed in Japan 2010.5 SI.  
SML157

**Ultra Short Focus  
Mobile Projector**



PLC-WL2500

**Enable Space Saving Projection,  
Powerful Solution for Classroom and Office**



**WXGA | 2500 lm |**

